



wahaso™

WATER HARVESTING SOLUTIONS



## Sustainable Irrigation Solutions from Wahaso

*Sustainable Irrigation* is all about reducing or eliminating the use of municipal water sources to irrigate landscaping. Wahaso engineers and supplies complete systems that harvest and treat onsite water sources like rainwater from rooftops and stormwater collected from hardscapes for truly sustainable irrigation.

Wahaso is an industry leader in designing and building commercial grade systems for on-site water reuse. Our Sustainable Irrigation Solutions include all the engineering, components, assembly and support to deliver a system that is ready to install.

**Turn your stormwater liability into an asset.** Why invest in stormwater detention and then just release the water? Wahaso's system can tap into that resource to irrigate your landscaping and deliver an ROI for the life of the property.

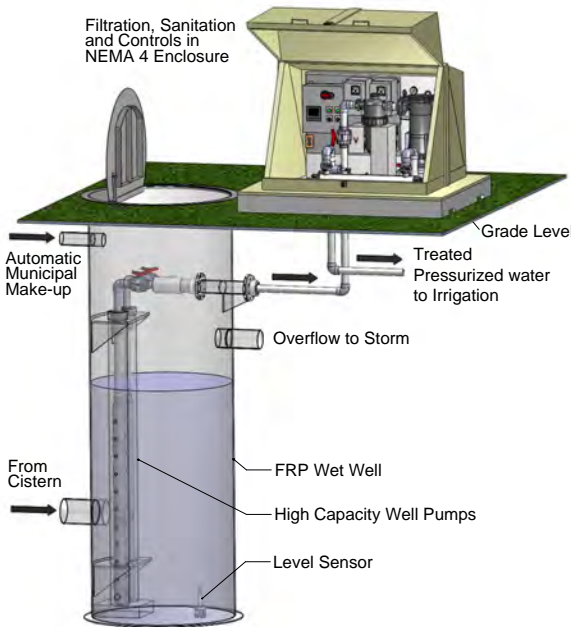
*Wahaso's filtration system meets tough health code requirements.* Irrigation water must be properly treated for public exposure. Sanitation step kills any harmful bacteria or pathogens to make the water safe for spray irrigation systems.

*Automated Controls and Reporting.* Wahaso's proprietary control system monitors and tracks system activity and reports data and alarms locally and to Building Automation Systems through BACNET or MODBUS. Reports show total water saved, cistern level, municipal make-up and more.

*Support and Warranty.* Wahaso's systems include support from our engineering team before, during and after installation. A limited warranty covers the entire system for a year.

### Wahaso SI Series System Features:

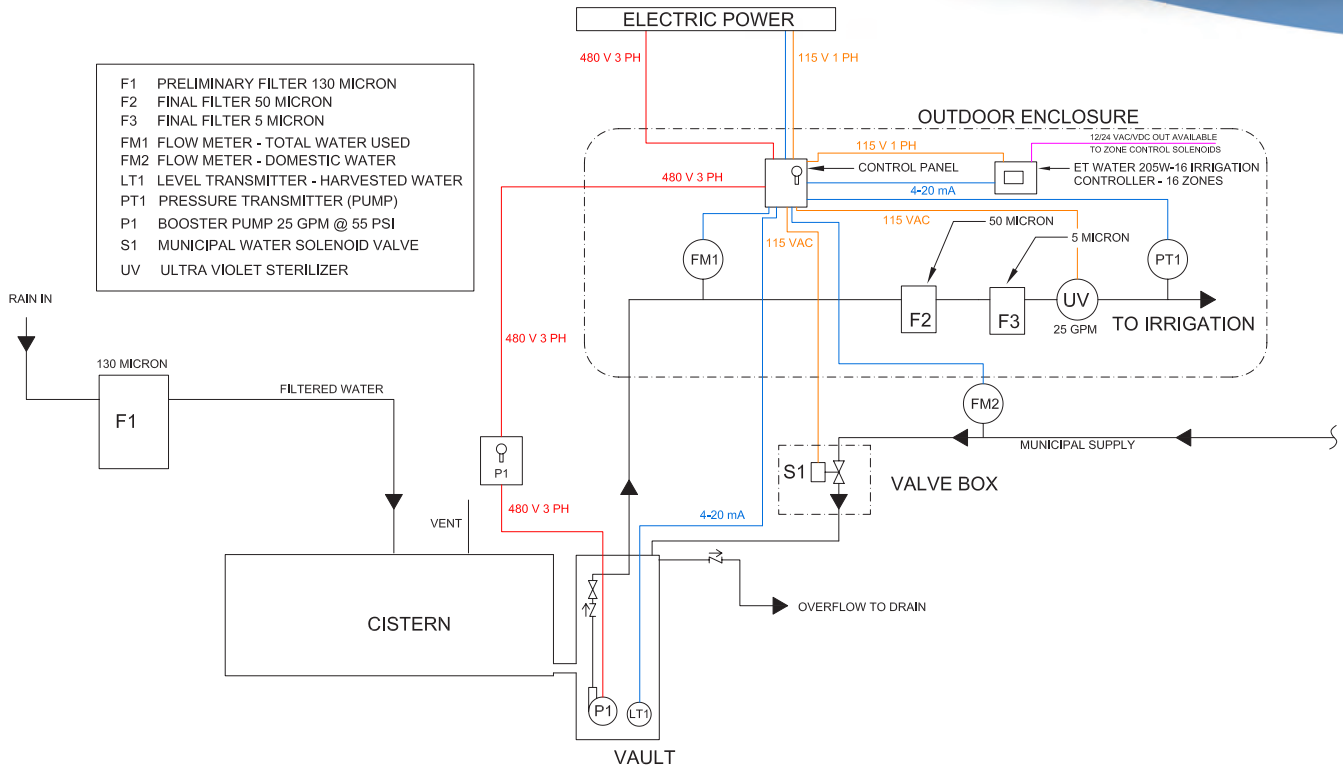
- Filtration system delivers water clarity of 5 microns. High-capacity bag filters are standard; auto-cleaning version is available.
- Ultra-violet sanitation system ensures water free of pathogens and safe for surface irrigation. UV is chemical-free and very low maintenance.
- Submersible pumps are stainless steel with variable frequency drives and are both long lasting and low-maintenance. Sub-surface placement reduces system footprint and allows complete flexibility in the location of the processing skid.
- Wahaso WCS-200 control system monitors and tracks all activity; includes color touch-screen and remote monitoring to BAS.
- Automated municipal make-up system detects water level and adds municipal water when the cistern is empty.
- ET Water Smart Irrigation Controller accesses local weather reports and applies only as much water as needed day-by-day and zone-by-zone.
- FRP wet well includes pump rail system, level transmitter, inlets and outlets and lockable aluminum hatch. Connects to any cistern system and facilitates full cistern capacity and make-up.
- FRP surface enclosure is NEMA 4, lockable and provides easy access to processing equipment and controls.
- Integrated pre-filtration and storage systems available.





wahaso™

WATER HARVESTING SOLUTIONS



**Integrated System Design.** Wahaso's Sustainable Irrigation Solution integrates all steps from water capture to storage to treatment to application. Processing skids are integrated into comprehensive system designs that include all pumps, storage, filtration and controls. Systems are pre-built on skids, tested and then delivered ready for installation.

Five standard skid configurations are available to meet most output requirements and performance specifications. Custom configurations are always available.

**Contact Wahaso Today for Pricing**

Specifications		Pump System		Power Requirement 230/460 V3			FRP Well	
Model Number	Capacity (GPM)	Pump Pressure (PSI)	Pump HP**	Full Load Amps @ 230 V	Full Load Amps @ 460 V	ET Water Controlled Zones*	Pipe Outlet to Irrigation*	Diameter (Length Varies)
SI-1055	10	55	1.0	5.0	3.0	16	1"	30"
SI-2555	25	55	1.5	7.0	4.5	16	1.5"	30"
SI-5555	55	55	3.0	12.0	7.0	24	2"	36"
SI-8055	80	55	5.0	18.0	10.0	32	2.5"	36"
SI-12070	120	70	7.5	25.0	14.0	48	3.0"	36"

Fiberglass Enclosure Dimensions		
Length	Width	Height
72"	60"	51"

\* These are standard configurations - custom variations are available  
 \*\*Standard configuration includes simplex pump. Duplex pumps available.



**Sustainable Irrigation doesn't end with a sustainable water source.**

Wahaso's Sustainable Irrigation Solutions integrate ET Water controllers that access local weather data to precisely irrigate landscaping day by day and zone by zone to deliver only as much water as required to replace evapo-transpiration rates. And our partnership with Landtech Irrigation Consultants can ensure that downstream of our system you have a carefully planned irrigation system that can efficiently and accurately apply that water zone-by-zone and plant-by-plant. [ETWater.com](http://ETWater.com) [LandtechDesign.com](http://LandtechDesign.com)

Wahaso.com